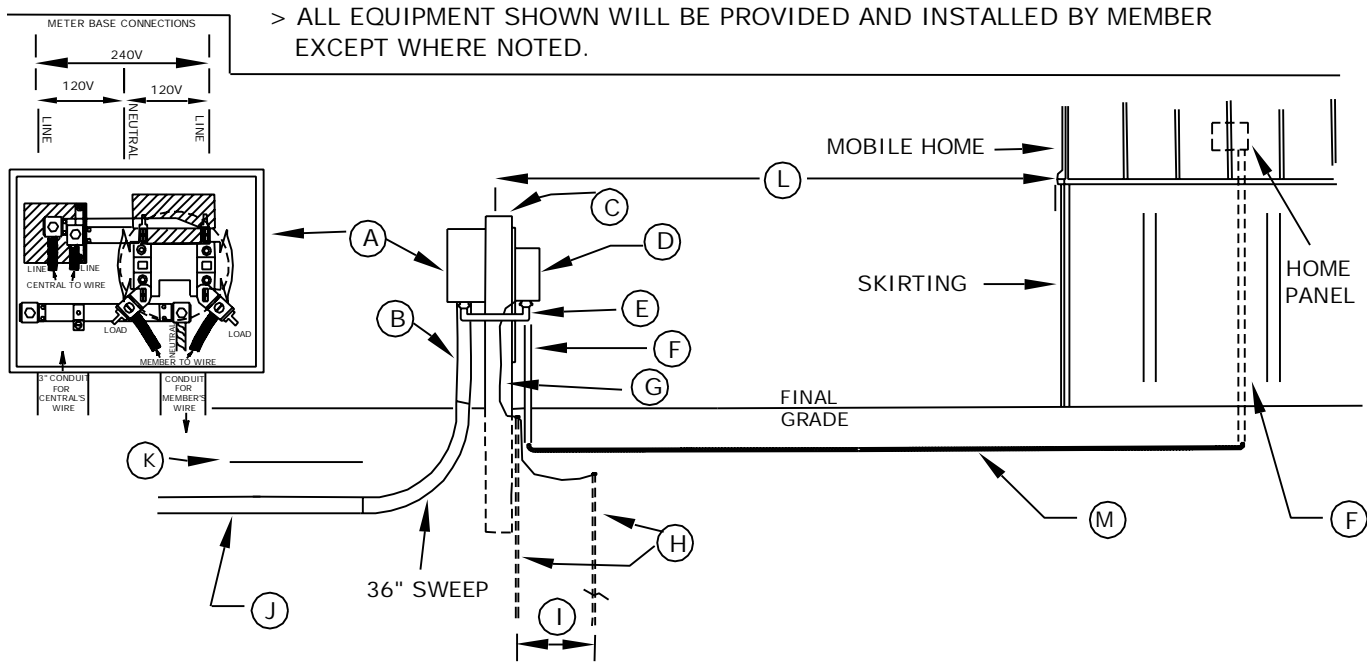


UNDERGROUND PERMANENT MOBILE HOME SERVICE

- > An Inspection by a Municipality approved inspector is required (per UCC code).
 - > Cooperative service drop will have a maximum distance of 250 ft. when originating from a pole mounted transformer, or 300' when originating from a pad mount transformer.
 - > Site should be graded to within 6" of final grade prior to trenching.
 - > Member must excavate trench for service cable from transformer to meter and provide conduit. Schedule 40 rigid PVC electrical conduit the entire length of the ditch including 36" radius sweep & 3" Sch. 80 riser conduit into the meter base with a 1/2 " min. diameter pull rope inside. (A 1/4" weep hole drilled above ground line of finished grade is suggested).
 - > A fee will be charged for underground service. This will be invoiced after service has been requested and must be paid prior to installation.
 - > Telephone, television and other communication lines may be installed in the same trench, however, require a minimum of 12" separation.
- *Water, sewer, and gas lines may not be placed in the ditch.



- (A) Meter base: 200 AMP min. capacity, ringless, min. of NEMA type 3R design, weather-tight, with side-mounted by-pass horn-type socket lugs which must accept 4/0 conductor, & knockouts for 3" conduit, installed at a height of 3ft. minimum.
- (B) 3" PVC Schedule 80 service wire riser conduit into bottom of meter base. (A 1/4" weep hole drilled above ground line of final grade is suggested).
- (C) Support post. 6"X6" min. treated timber or section of round pressure treated pole.
- (D) Weatherproof disconnect switch box. Fused or Circuit breakers (10,000 AMP interrupting), 100 AMP min.
- (E) Conduit & entrance conductor from meter base to panel will be sized according to service panel.
- (F) Schedule 80 riser conduit for feeder cable out of bottom of disconnect panel.
- (G) Grounding conductor, #6 bare copper to approved ground. (Do not connect to meter base).
- (H) Two - 5/8" galvanized steel or 1/2" copper - 8 ft. long ground rods and ground clamps for #6 copper.
- (I) Ground rod separation must be minimum of 6 ft.
- (J) 3" Schedule 40 or DB 60 rigid PVC electrical conduit the entire length of the ditch including a 36" radius sweep at each end. Member to connect into meter base and Cooperative will connect at pole. Conduit depth will be 30" to 36".
- (K) Underground cable caution tape to be installed 12" above conduit.
- (L) Maximum distance between mobile home and entrance on the pole is 30 ft.
- (M) Underground mobile home feeder cable will be 4-wire, sized to home panel and 24" deep if direct buried.

Revised 11/4/08 by DC

FIGURE 12