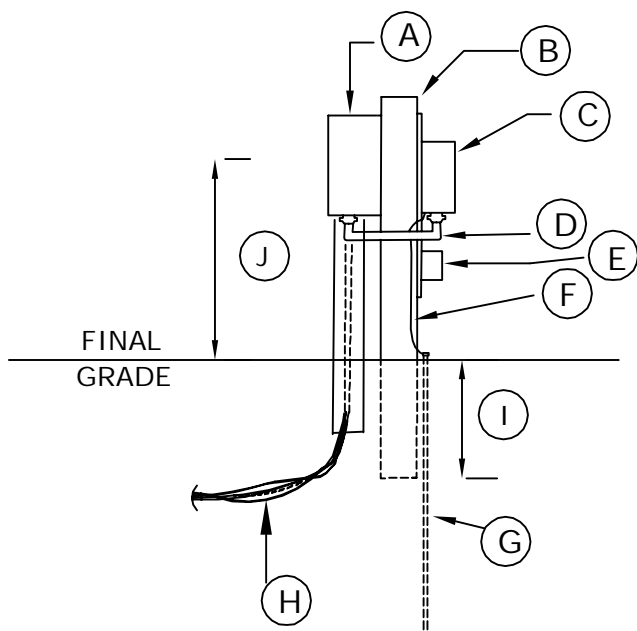
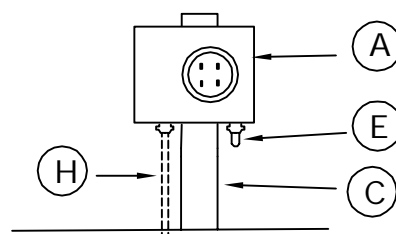


UNDERGROUND TEMPORARY SERVICE (FROM AN UNDERGROUND TRANSFORMER VAULT ONLY)

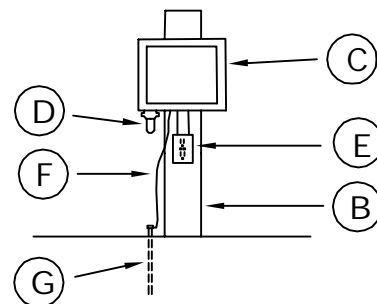
- Available for a maximum period of 1 year.
- A formal inspection will not be required for temporary services (contact the Engineering Department for connection when all requirements are complete).
- ALL EQUIPMENT SHOWN WILL BE PROVIDED AND INSTALLED BY MEMBER.
- The permanent service drop will have a maximum length of 300 ft. (total distance from pad mount transformer to meter).



FRONT VIEW (METER BASE SIDE)



REAR VIEW (DISCONNECT SWITCH SIDE)



- (A) Meter base. 30 amp minimum capacity.
- (B) Support post. 4" x 4" min. timber or section of round pole.
- (C) Weatherproof disconnect switch box. Fused or circuit breakers sized to entrance conductor. (10,000 amp interrupting)
- (D) Conduit and entrance conductors. 30 amp minimum capacity.
- (E) Weatherproof receptacle with ground fault circuit interruption (GFI).
- (F) Grounding conductor. #6 bare copper to approved ground. (Do not connect to meter base).
- (G) Ground rod (5/8" galvanized steel or 1/2" copper - 8' long) and ground clamp for #6 copper (see G).
- (H) Service cable provided by the member should be sized according to the service panel.
THE COOPERATIVE WILL MAKE ALL CONNECTIONS AT THE TRANSFORMER.
- (I) Post setting depth - 30" minimum.
- (J) Meter base height - 3' minimum.

Revised 1/11/16 by BF

FIGURE 9